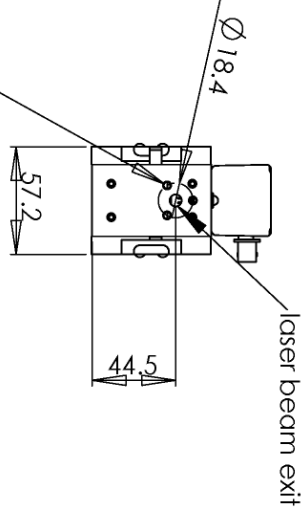


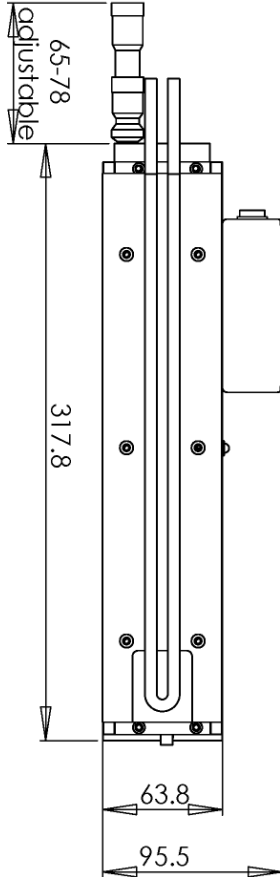
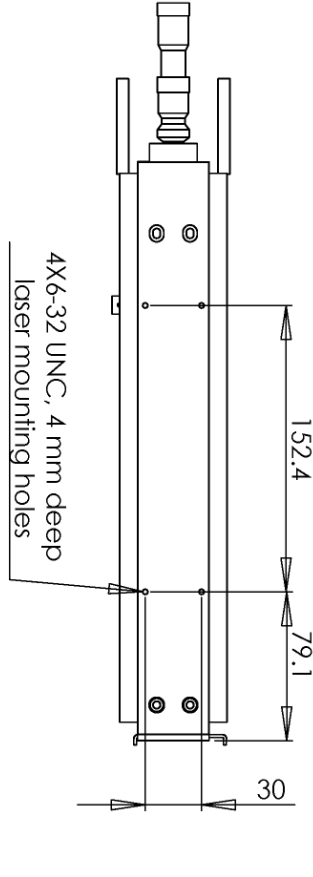
Laser Specifications

L4G Mounting Dimensions (Water Cooled)

FOR REFERENCE ONLY



3XM3 8 mm deep optics mounting do not crew more than 8 mm deep



ZONE	REV	DESCRIPTION	DATE	APPROVED

Access Laser Company
 5803 47th Ave. NE #8
 Marysville, WA 98270
 Tel: 360-651-6141
 Fax: 360-657-4841
 www.accesslasero.com



PROPRIETARY AND CONFIDENTIAL
 THE INFORMATION CONTAINED IN THIS DRAWING IS THE SOLE PROPERTY OF ACCESS LASER COMPANY. ANY REPRODUCTION IN PART OR AS A WHOLE WITHOUT THE WRITTEN PERMISSION OF ACCESS LASER COMPANY IS PROHIBITED.

DIMENSIONS ARE IN mm	TOLERANCES:	FINISH:	APPLICATION	DO NOT SCALE DRAWING	DATE
ANGULAR: MACH ± 0.1 BEND ± 0.5			USED ON		4/17/2007
ONE PLACE DECIMAL ± 0.1			NEXT ASSY		
TWO PLACE DECIMAL ± 0.05					

REVISION	DESCRIPTION	DATE	APPROVED